

RPM-AC FINNED FRAME VARIABLE SPEED ALTERNATING CURRENT MOTOR FL5832-DPFV, WITH DE BEARING CARRIER

ENCLOSURE: OPEN DRIP PROOF

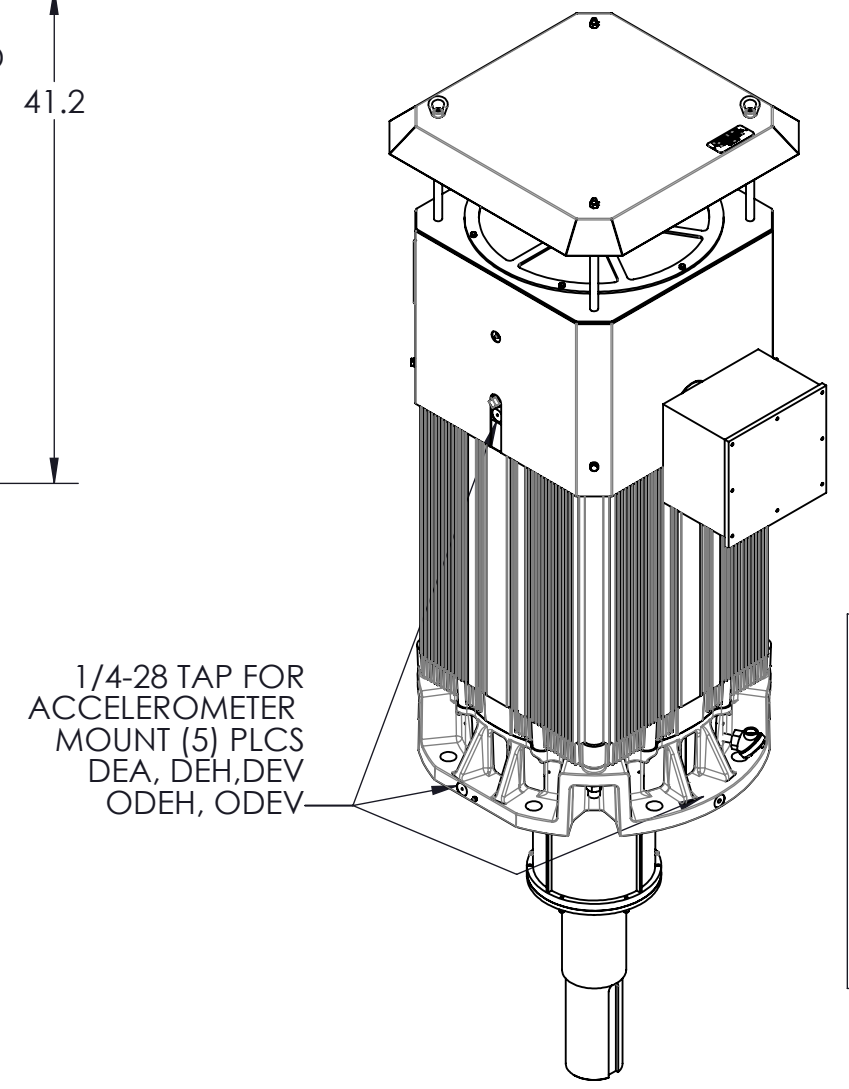
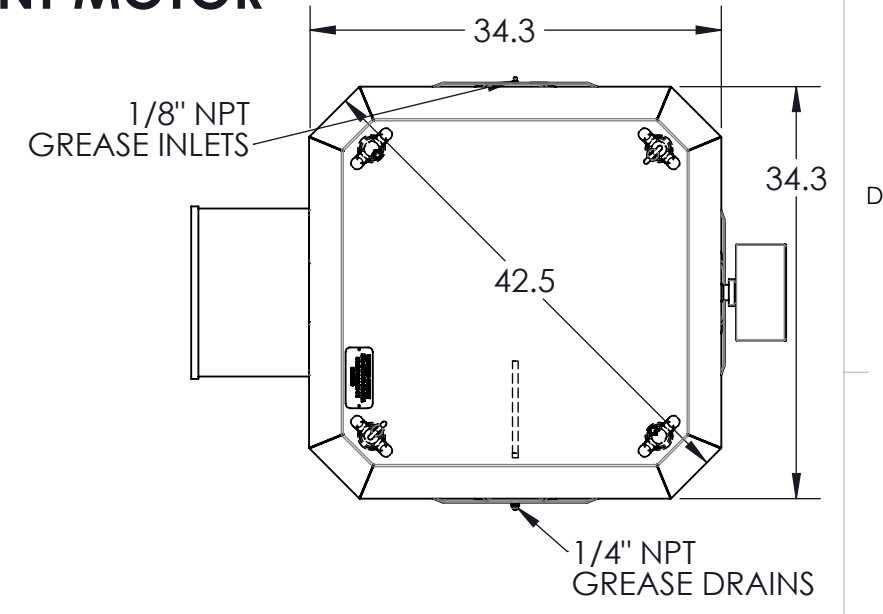
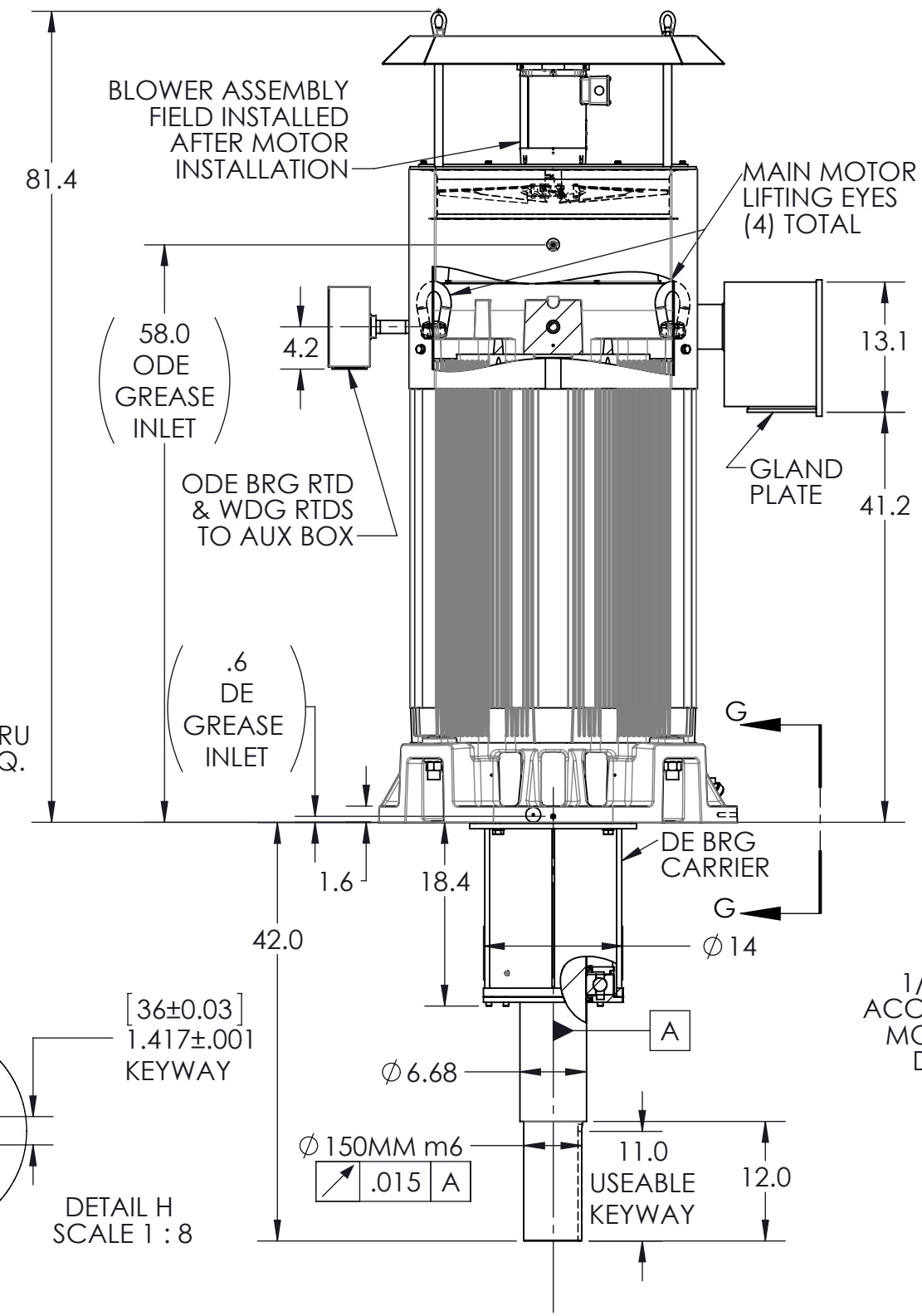
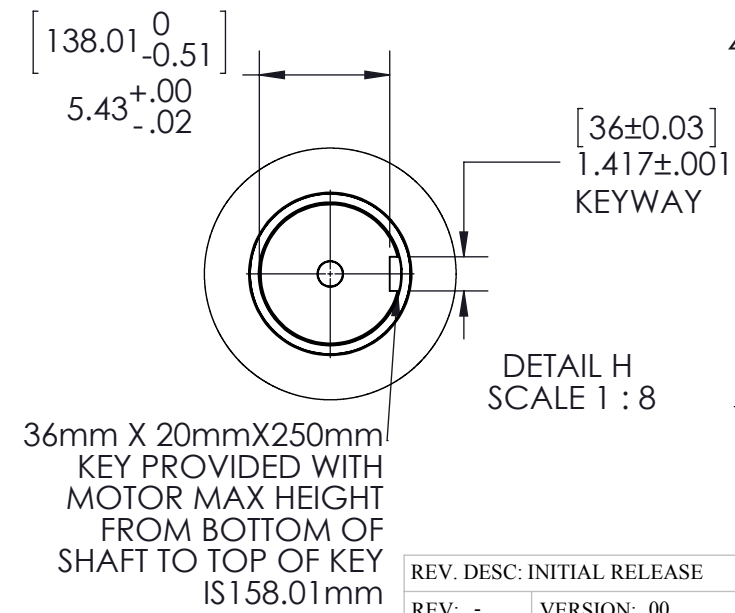
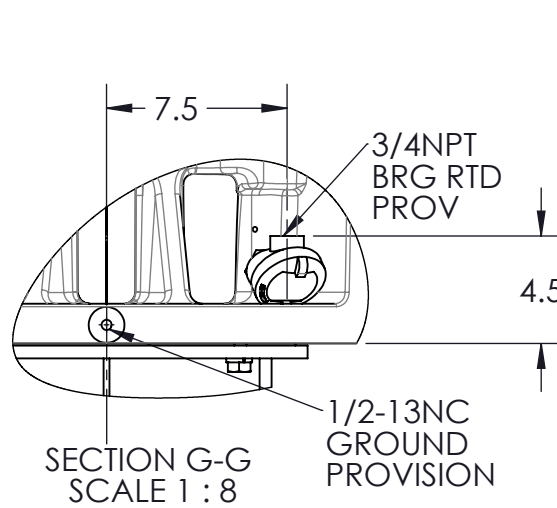
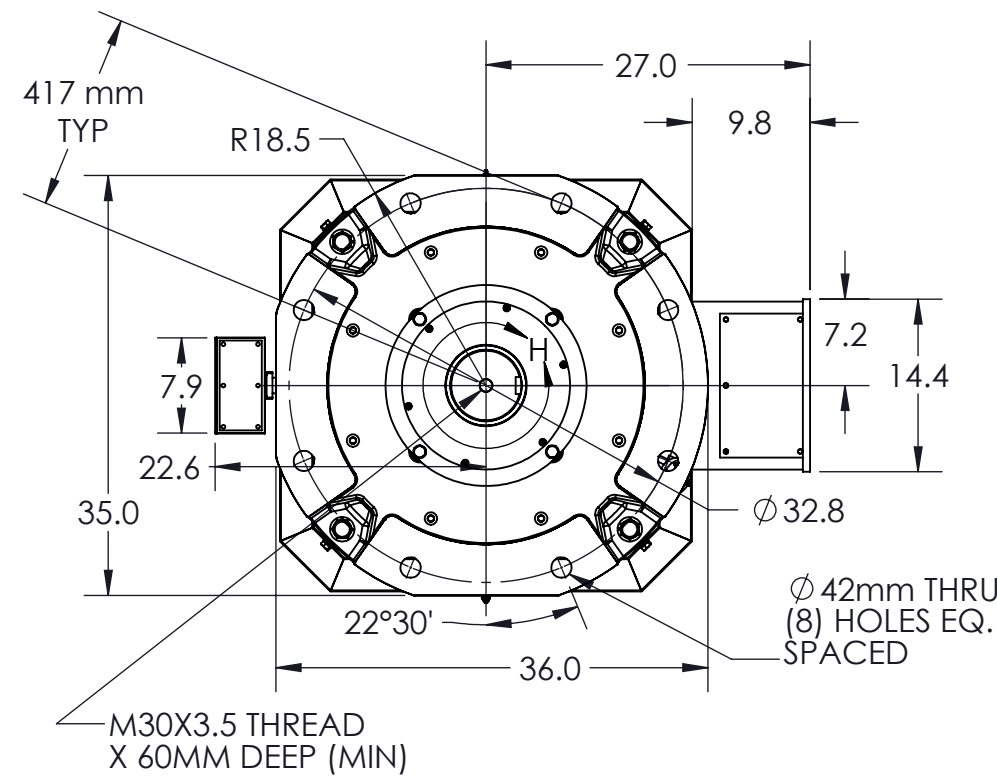
MOUNTING: FLANGE

DRIVE METHOD: DIRECT

COOLING: BLOWER COOLED

ROTOR TYPE: PERMANENT MAGNET

APPLICATION: AIR-COOLED CONDENSERS



FL5832	7679.6
FRAME SIZE	WT (LBS)

REV. DESC: INITIAL RELEASE			
REV: -	VERSION: 00	REVISED: 09:34:23 03/28/2014	TDR: 00000846259
MODEL NO. 619609-503			
BY: MGHJMZ2			

BALDOR
DIM SHT, FL5832-DPFV, ACC MOTOR, VERT S.D. METRIC W/ CARRIER

BALDOR, BALDOR RELIANCE, PROPRIETARY & CONFIDENTIAL. THIS DRAWING IS THE PROPERTY OF BALDOR RELIANCE AND/OR ITS SUBSIDIARIES AND IS NOT TO BE REPRODUCED OR DISCLOSED WITHOUT THE EXPRESS WRITTEN PERMISSION OF THE COMPANY.

619609-503