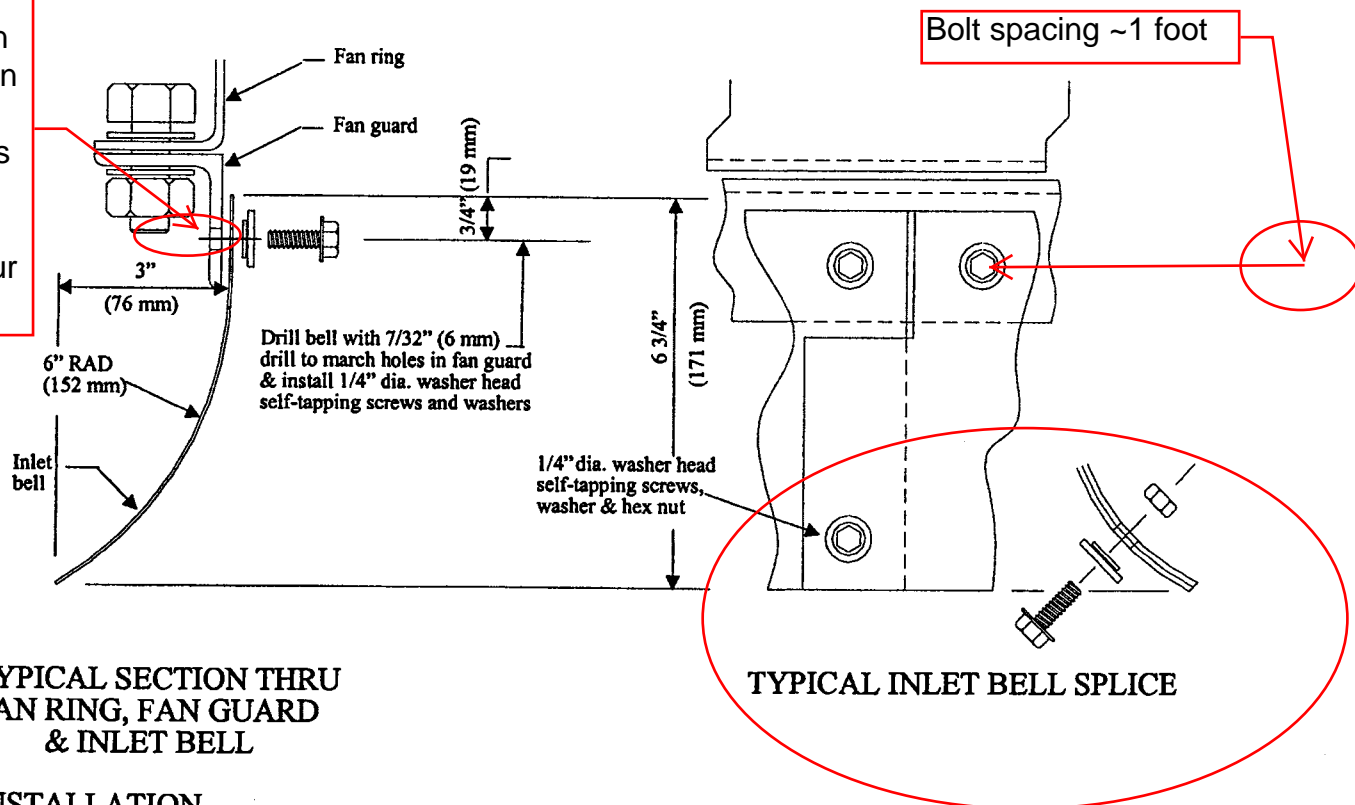


Each Inlet bell Kit comes with all the hardware shown below for normal mounting when there is a fan guard between the Inlet bell and the rotating fan. **If there is no guard**, which is typical on Engine fans make sure you add nuts to the back of each self-tapping screw for extra security. Also use lock nuts and or Loctite to prevent any Inlet bell from entering the rotating fan.

INLET BELL INSTALLATION FOR FORCED DRAFT UNITS

The purpose of the Hudson Inlet Bell is to reduce turning losses due to the abrupt corners in fan ring. This improves air distribution and fan efficiency.

Nuts and lock washers (and/or Loctite) required if there is no fan guard between Bell and fan. The extra nuts and lock nuts are not provided in our hardware kit.



TYPICAL SECTION THRU FAN RING, FAN GUARD & INLET BELL

TYPICAL INLET BELL SPLICE

INSTALLATION

1. Mark off a line around the circumference about 1 1/4" (32 mm) from the bottom toe of the fan guard angle. This will indicate the location of the upper edge of the inlet bell.
2. Align the edge of a section with the line drawn. Using a 7/32" (6 mm) drill, drill a hole approximately 3/4" (19 mm) from the upper edge of inlet bell and about 1" (25 mm) from the end of an inlet bell section.
3. Install a 1/4" washer head self-tapping screw and washer to secure the inlet bell section to an existing fan guard hole.
4. Continue drilling holes in the inlet bell to match holes in fan guards. Continue installing screws. The last screw should be about 1" (25 mm) from the opposite end of the section. This last hole may need to be drilled through both the inlet bell and the fan guard.
5. Install the next section in the same manner. The mating ends should be butted together with no gap between them.
6. In addition to the screws installed in the fan guards, drill one hole in the lap joint of the curved section of the bell through the two mating sections. Install a 1/4" washer head self-tapping screw, washer and hex nut to secure the two sections together. (See "TYPICAL INLET BELL SPLICE" above).
7. Inlet bells will require notching or special trimming around fan guards & structure during installation. This can easily be done using a common hacksaw.

If you have any questions during installation call Nick Agius @ 1-789-719-7413 or email nick.agius@motioncanada.com

Innovative ideas to hang Inlet bells for various applications.

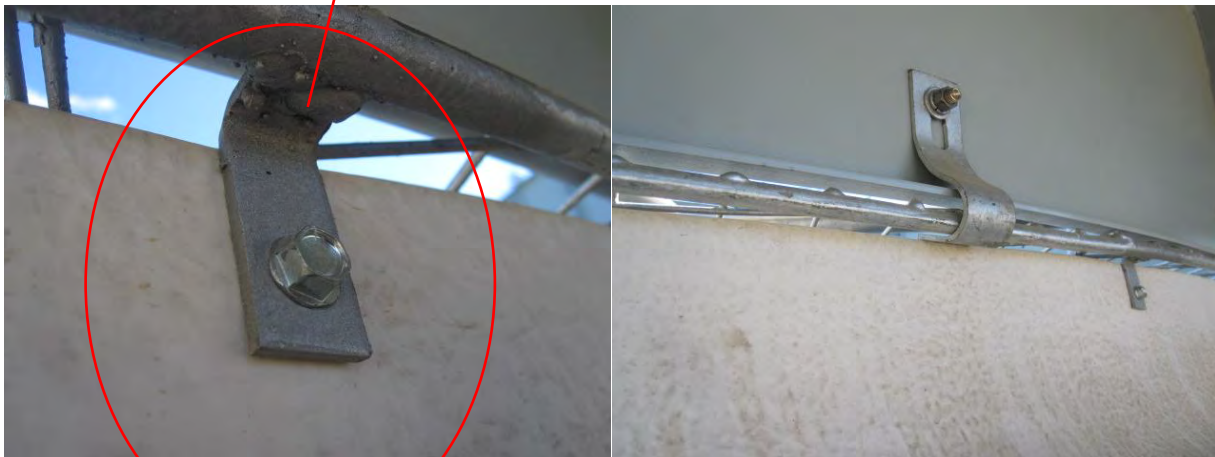
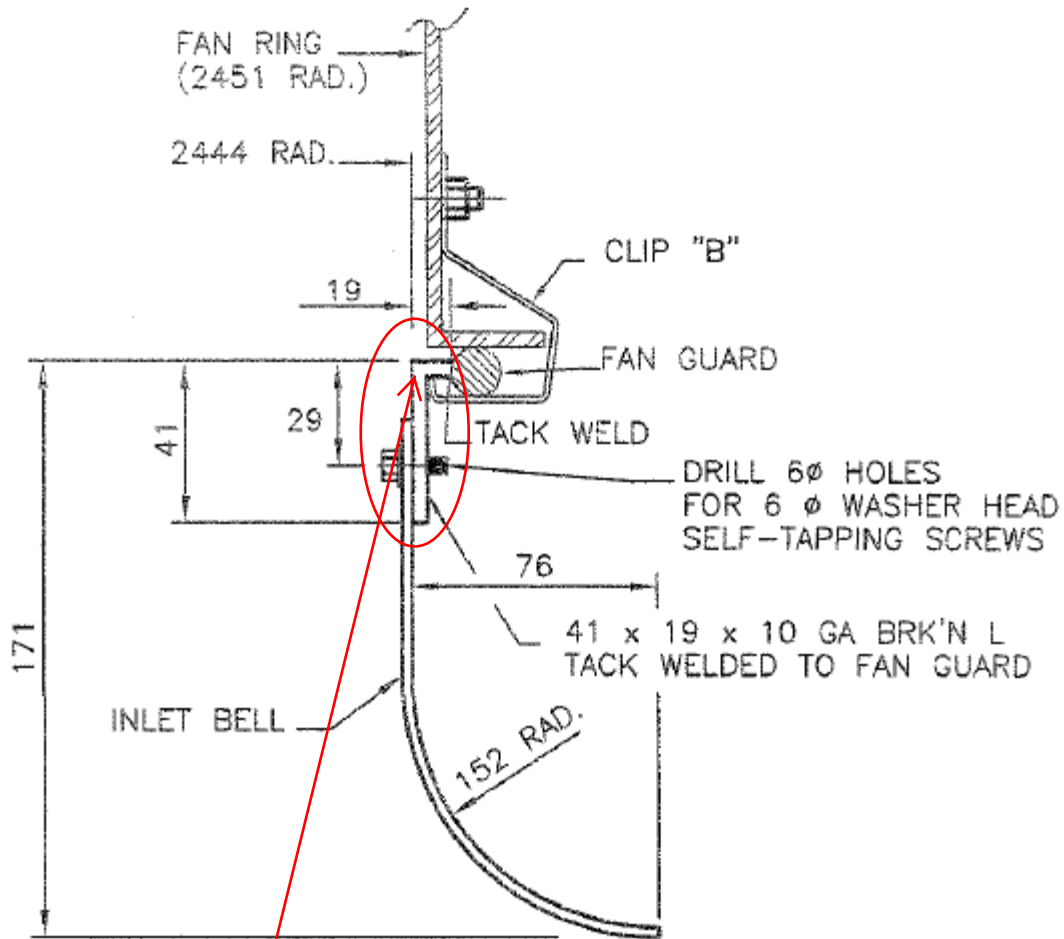


Welding small tabs is a very effective way to hang Inlet bells



A diamond hack saw is the best way to cut the fiberglass. Use something with a fine blade but don't select a wood blade. Use a Jig-saw or an air tool like this enclosed picture

How to hang Inlet Bells off Exchanger Industries bottom fan guards.



Installer: Make up a simple L-bracket system as shown in this picture to suit the application.

Bolting:

1. One way is to use the hardware provided with each Inlet Bell kit (self-tapping screw and rubber lined washer) and mount the self-tapping screw into the new L-bracket.
2. Or the second way is how EI has installed here in this picture. If you use this way shown above you need a nut on the back side, which are not supplied in our hardware kits.
3. Be sure to protect the Inlet Bell material using the rubber washers supplied.